



KITS



PUMPS



METERS



METERED NOZZLES



NOZZLES



WASTE OIL EQUIPMENTS

AMALFI

FEATURES

- STURDY STRUCTURE
- MECHANICAL METER
- INDUCTION THERMAL-PROTECTED MOTOR
- OVERLOAD PROTECTION
- BUILT-IN MESH FILTER
- IP 55

The PIUSI AMALFI pump is a water transfer pump available both in the AC and DC version. They are particularly suitable for the transfer of fresh and salt water and is used mainly in the marine sector for all those conditions in which it is necessary to transfer water from a drum. The AMALFI AC electric pump is self-priming with flexible impeller and is characterized by a body made entirely of polypropylene and a chamber completely covered in stainless steel, with rubber impeller and stainless steel shaft that makes it durable. The DC version has excellent suction and pressure capabilities and in case of suction of particles and solid debris does not risk any damage.

PERFORMANCE

UP TO

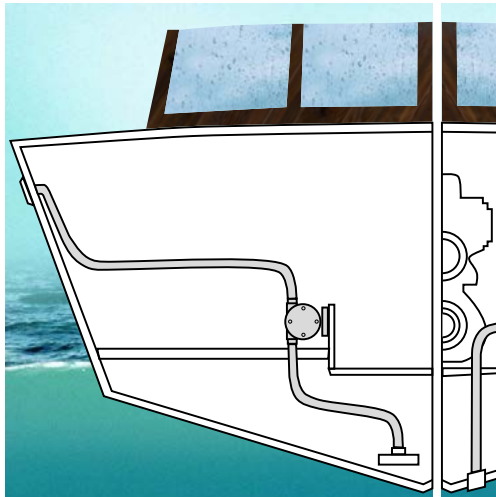
34 L/MIN

FLOW RATE

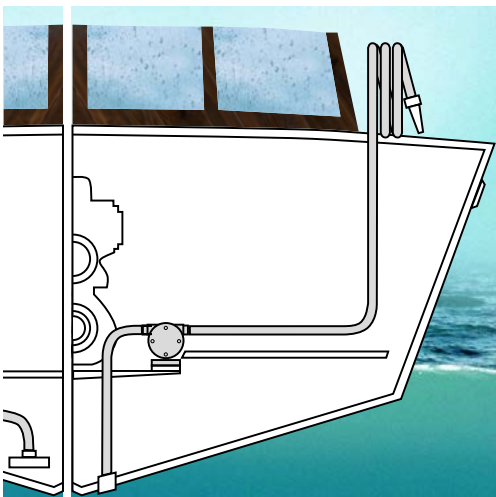
AC/DC

VOLTAGE

POWER



AMALFI AC



AMALFI DC



PACKAGING

CODE	WEIGHT		PACKAGING			
	KG	LBS	MM	INCH	PCS/PALLET	PCS/BOX
NMT400000	3	6,6	200X130X105	7,9X5,1X4,1	-	1
NMT400001	3	6,6	200X130X105	7,9X5,1X4,1	-	1
NMT400003	6	13,2	350X185X260	13,8X7,3X10,2	-	1



FILTRATION



FLUID MONITORING



TANK MONITORING



HOSE REELS



ACCESSORIES



MERCHANDISE

INDEX



AIR



ANTIFREEZE



AdBlue®



BIODIESEL



DIESEL



FOOD



GASOLINE



GREASE



KEROSENE



OIL

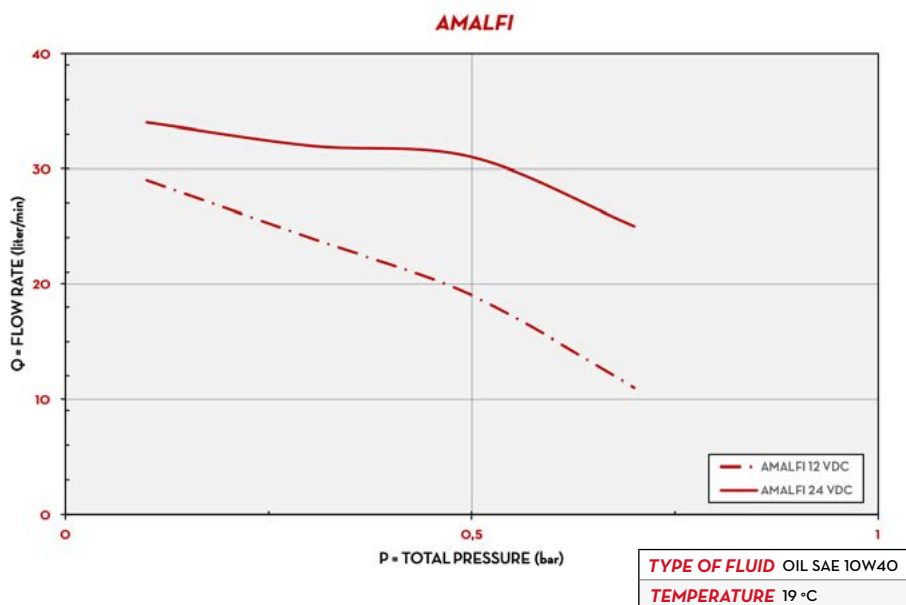


WATER



WINDSCREEN

CHART



IN THE BOX

- AMALFI PUMP
- INSTRUCTION MANUAL

DETAILS



ON/OFF SWITCH

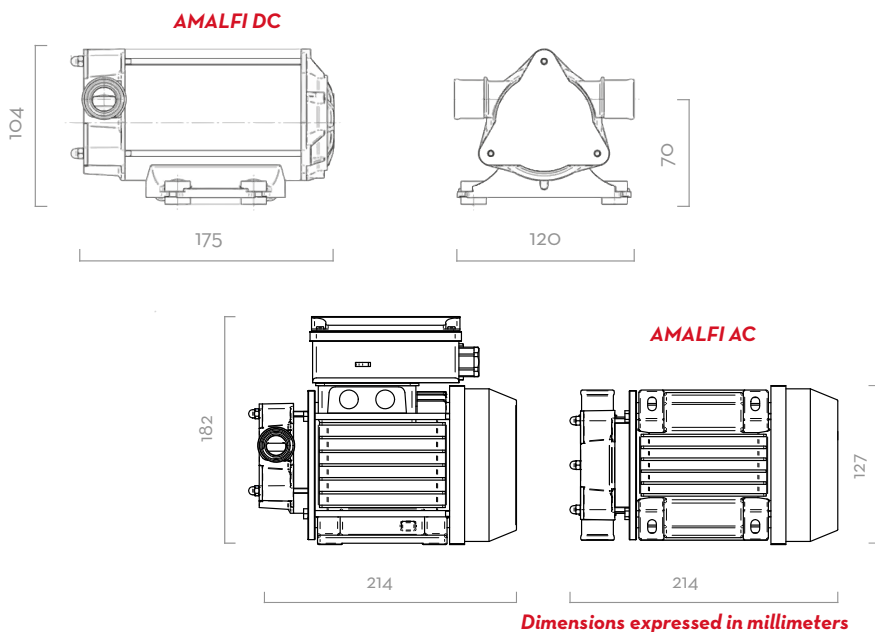


STAINLESS STEEL CHAMBER



FLEXIBLE IMPELLER

DIMENSIONS



MATERIALS

- BODY: TECHNOPYLIMER/STAINLESS STEEL
- IMPELLER: TECHNOPYLIMER

TECHNICAL DATA

CODE	DESCRIPTION	FLUIDS TYPE	FLOW RATE		WORKING PRESSURE		VOLTS/HZ	MAX DRAW	FUSE	PORTS
			L/MIN	GPM	BAR	PSI				BSP
NMT400000	AMALFI 112V		32	8,4	1	14,5	12	13 A	35 A	1/2"
NMT400001	AMALFI 124V		34	9	1	14,5	24	16 A	15 A	1/2"
NMT400003	AMALFI 5-230V 50		30	7,3	1	14,5	230/50	1,5 A	-	1/2"

AMALFI