



KITS



PUMPS



METERS



METERED NOZZLES



NOZZLES



WASTE OIL EQUIPMENTS

# K600/4

## FEATURES

- ADJUSTABLE FLANGES
- INSTANTANEOUS READING
- EXTREMELY ACCURATE
- SUITABLE FOR INDUSTRIAL APPLICATIONS
- IDEAL FOR MOBILE INSTALLATIONS
- LOW ENERGY CONSUMPTION

The PIUSI K600/4 is an oval gear meter suitable for monitoring the delivery of low and medium viscosity oils. Its 4 couples of gears allows to reach high flow rates.

### PERFORMANCE

UP TO  
**15-150 L/MIN**

FLOW RATE

**20 BAR**

OPERATING PRESSURE

**± 0,5 %**

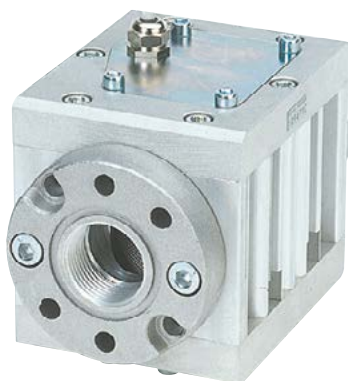
ACCURACY

**0,2%**

REPEATABILITY



K600/4



K600/4 PULSER



### PACKAGING

CODE	WEIGHT		PACKAGING			
	KG	LBS	MM	INCH	PCS/PALLET	PCS/BOX
<b>METER</b>						
00049700A	3,2	7	200X120X140	7,9X4,7X5,5		1
<b>PULSER</b>						
000473000	3,2	7	200X120X140	7,9X4,7X5,5		1



FILTRATION



FLUID MONITORING



TANK MONITORING



HOSE REELS



ACCESSORIES



MERCHANDISE

INDEX



AIR



ANTIFREEZE



AdBlue®



BIODIESEL



DIESEL



FOOD



GASOLINE



GREASE



KEROSENE



OIL

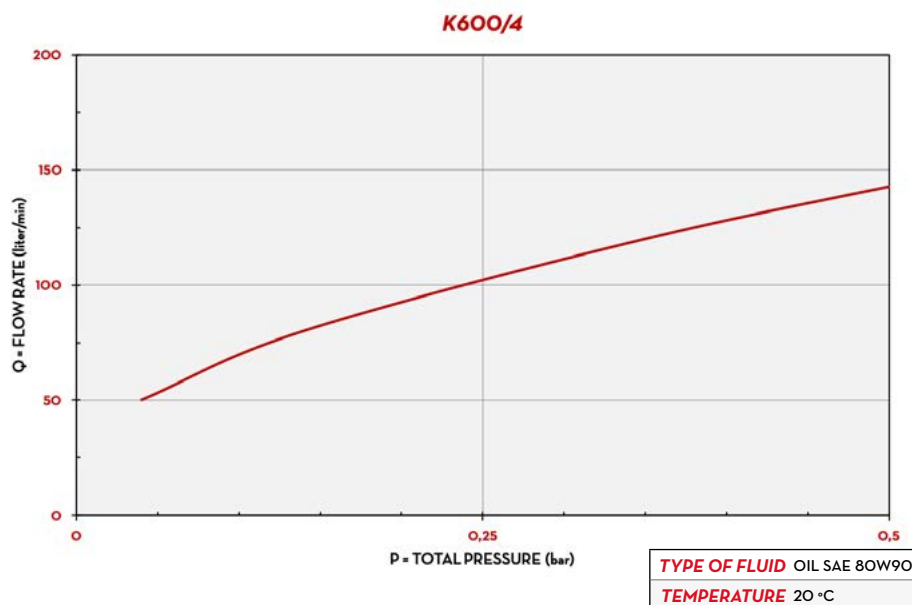


WATER



WINDSCREEN

### CHART



### IN THE BOX

- K600/4 METER
- INSTRUCTION MANUAL

### DETAILS



RESET / CALIBRATE BUTTON

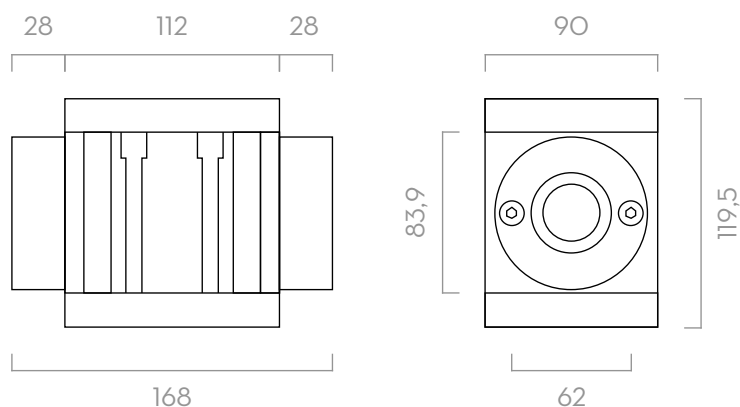


OVAL GEAR



ALLUMINIUM BODY

### DIMENSIONS



Dimensions expressed in millimeters

### MATERIALS

- BODY: ALLUMINIUM
- GEARS: TECHNOPOLYMER

### TECHNICAL DATA

CODE	DESCRIPTION	FLUIDS TYPE	FLOW RATE		WORKING PRESSURE		BATTERY INCLUDED NO. 2 2X1,5V	FLANGE	INLET OUTLET	INLET FILTER
			L/MIN	GPM	BAR	PSI				
00049700A	K600/4 METER 1." BSP		15 - 150	3,9 - 39	20	284	YES	YES	1 1/2" BSP	YES
000473000	K600/4 PULSER 1." BSP		15 - 150	3,9 - 39	20	300	NO	YES	1 1/2" NPT	YES

UPON REQUEST AVAILABLE IN NPTF VERSION AND DISPLAY IN GALLON/QUARTER OR PINT

# K600/4