



CAR FILLING



FUEL MANAGEMENT SYSTEMS



KITS



PUMPS



METERS



METERED NOZZLES

SB325_X METER/SB325_X METER CAR

FEATURES

- HEAVY DUTY
- VERSATILE
- BUILT-IN TURBINE METER
- BREAK-AWAY SYSTEM
- MULTI-FUNCTIONAL DISPLAY
- SPECIFIC SPOUT FOR CARS/LIGHT COMMERCIAL VEHICLES
- EASY AND PRACTICAL

The PIUSI SB325_X METER and SB325_X METER CAR are the patented automatic metered nozzles by PIUSI for AdBlue®. They are engineered according to ISO/ FDIS 22241-4:2009 and composed by an innovative technopolymer casing, a break-away system, a stainless steel spout and the K24 meter with 1% accuracy.

The SB325_X METER CAR has a different shape compared to SB325_X METER and is 2,4 cm shorter, this to allow a better usability and performance in the car/commercial vehicle sector. SB325_X METER CAR is compatible with all PIUSI AdBlue® pumps. Use with pumps other than the PIUSI range must be subject to prior verification of the system's flow rate.

PERFORMANCE

±1%

ACCURACY

SB325_X METER

UP TO

45 L/MIN

FLOW RATE

3,5 BAR

MAX

OPERATING PRESSURE

SB325_X METER CAR

5-27 L/MIN

FLOW RATE

3 BAR

MAX

OPERATING PRESSURE



SB325_X METER

SB325_X METER CAR



PACKAGING

CODE	WEIGHT		PACKAGING		
	KG	LBS	MM	INCH	PCS/BOX
FOO61701A	1,0	2,2	447X178X63	17,6X7X2,5	1
FOO61722O	1,2	2,6	450X180X90	17,7X7X3,5	1



NOZZLES



FILTRATION



TANK MONITORING



HOSE REEL



ACCESSORIES



MERCHANDISE

INDEX



AIR



ANTIFREEZE



AdBlue®



BIODIESEL



DIESEL



FOOD



GASOLINE



GREASE



KEROSENE



OIL



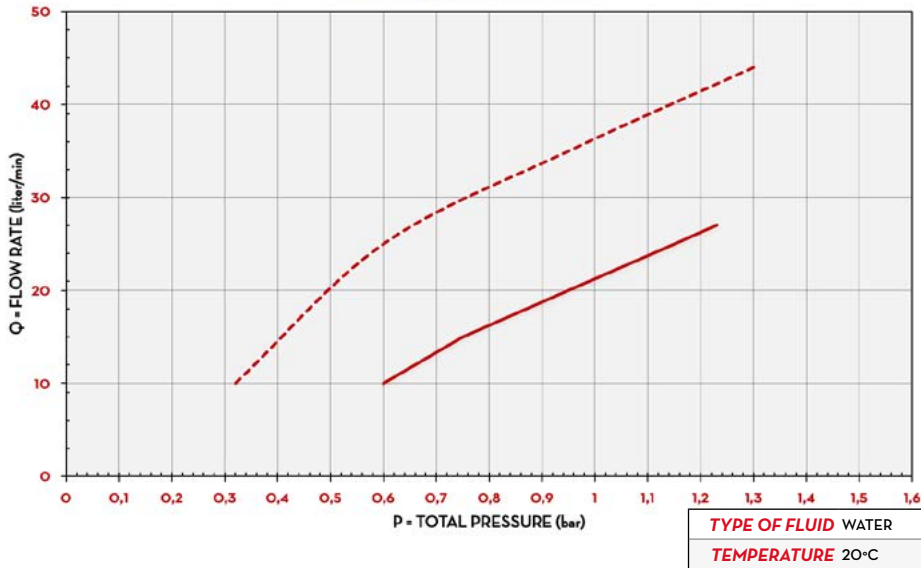
WATER



WINDSCREEN

CHART

SB325_X / SB325 CAR



IN THE BOX

- PISTOLA SB325_X METER / SB325_X METER CAR NOZZLE
- INSTRUCTION MANUAL

DETAILS

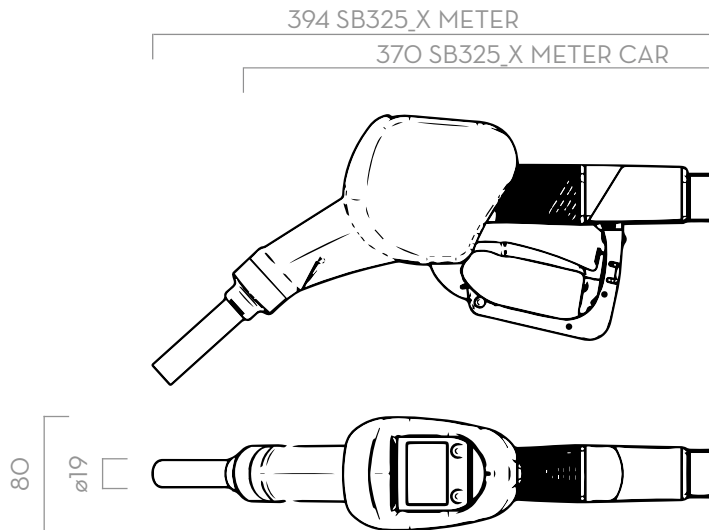


MULTI-FUNCTIONAL DISPLAY



BREAK-AWAY SYSTEM

DIMENSIONS



Dimensions expressed in millimeters

MATERIALS

- SPOUT: STAINLESS STEEL
- BODY: TECHNOPYLIMER
- TURBINE: TECHNOPYLIMER

TECHNICAL DATA

CODE	DESCRIPTION	FLUIDS TYPE	FLOW RATE		MAGNETIC ADAPTOR	METER	PRESSURE	INLET	SWIVEL	SPOUT
			L/MIN	GPM			BAR			EXT. Ø
FOO61701A	AUTOMATIC NOZZLE SB325_X METER		45	12	NO	SI	3,5	3/4"	SI	19 MM
FOO617220	AUTOMATIC NOZZLE SB325_X METER CAR		27	7	NO	SI	3	3/4"	SI	19 MM

SB325_X METER