



KITS



PUMPS



METERS



METERED NOZZLES



NOZZLES



WASTE OIL EQUIPMENTS

EASY NEXT/2

FEATURES

- HIGH RATIO PRESSURE
- LOW PRESSURE DROP
- STURDY AND DURABLE
- BUILT-IN LEVER LOCK
- READY TO USE
- EASY TO CALIBRATE
- ELECTRONIC RESET FUNCTION
- LOW BATTERY CONSUMPTION
- IP65 PROTECTION
- RUBBER PROTECTION
- ADJUSTABLE UMA CAMSHAFT
- SWIVEL

The PIUSI EASY NEXT/2 is the answer to all the needs of a high flow rate oil dispense and measure. It is composed by the PISTOL-ONE nozzle and the oval gear meter NEXT/2.

PERFORMANCE

UP TO

60 L/MIN

FLOW RATE

70 BAR

OPERATING PRESSURE

± 0,5%

ACCURACY

UP TO

2000 CST

VISCOSITY



EASY NEXT/2 WITH FLEXIBLE SPOUT



with rigid spout

without spout

PACKAGING

CODE	WEIGHT		MM	PACKAGING		N. BOXES/ EUROPALLET	
	KG	LBS		PCS/PALLET	PCS/BOX		
FO0974000	2,3	5,1	115X135X160		1	100	120
FO0974010	2,9	6,4	115X135X160		1	100	120
FO0974020	3	6,6	115X135X160		1	100	120



FILTRATION



FLUID MONITORING



TANK MONITORING



HOSE REELS



ACCESSORIES



MERCHANDISE

INDEX



AIR



ANTIFREEZE



AdBlue®



BIODIESEL



DIESEL



FOOD



GASOLINE



GREASE



KEROSENE



OIL

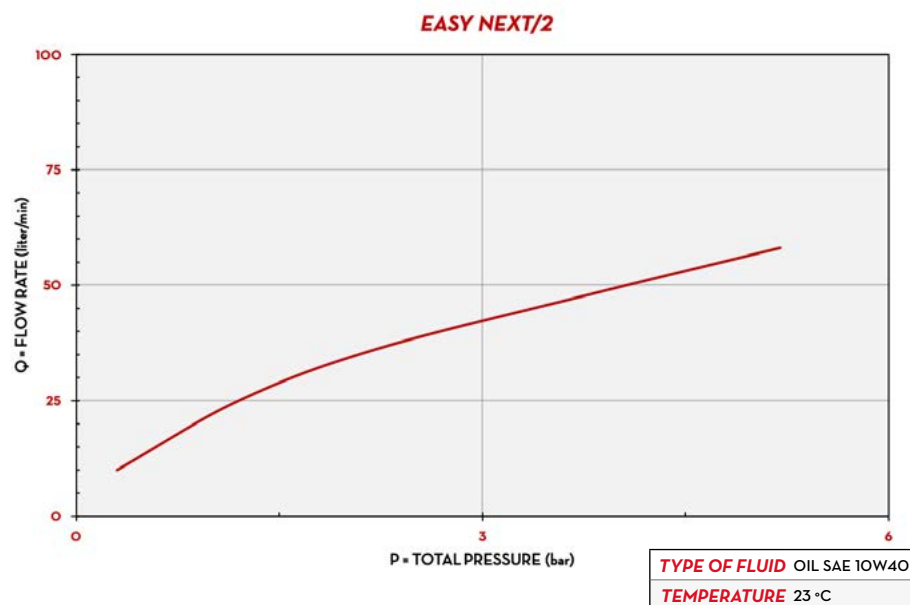


WATER

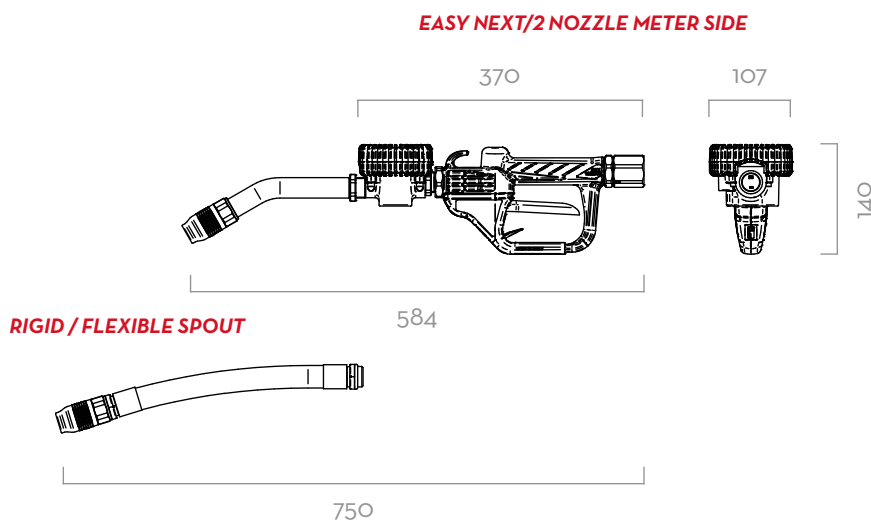


WINDSCREEN

CHART



DIMENSIONS



Dimensions expressed in millimeters

IN THE BOX

- PISTOL-ONE NOZZLE
- NEXT/2 METER
- INSTRUCTION MANUAL

DETAILS



RESET BUTTON



SELECTED MATERIAL



METER WITH OVAL GEARS



MULTIFUNCTIONAL DISPLAY

MATERIALS

- NOZZLE BODY: ALLUMINIUM
- VALVE: NBR, NICKEL PLATED STEEL, BRASS
- METER BODY: ALLUMINIUM
- GEARS: TECHNOPOLYMER

TECHNICAL DATA

CODE	DESCRIPTION	FLUIDS TYPE	SPOUT TYPE	SEMI AUTOMATIC NO DRIP VALUE	FLOW RATE		WORKING PRESSURE		BATTERY INCLUDED AAA NO. 2 2 X 1,5 V	INLET	OUTLET
					L/MIN	GPM	BAR	PSI			
FO0974000	EASY NEXT/2 .2" BSP W/O SPOUT		-	-	6 - 60	1,5 - 15	70	994	2	3/4" BSP	-
FO0974010	EASY NEXT/2 .2" BSP W/RIGID SPOUT		RIGID	YES	6 - 60	1,5 - 15	70	994	2	3/4" BSP	RIGID EXT.
FO0974020	EASY NEXT/2 .2" BSP W/FLEX SPOUT		FLEXIBLE	YES	6 - 60	1,5 - 15	70	994	2	3/4" BSP	FLEX EXT.

EASY NEXT/2

METERED NOZZLES