

# PIUSI HAND PUMP

## FEATURES

- OPTIMIZED SUCTION CAPACITY
- STURDY CONNECTOR
- HEAVY DUTY LEVER
- FLUENT REVOLUTION
- HIGH EFFICIENCY
- ADJUSTABLE SUCTION PIPE
- DURABILITY
- SELECTED MATERIALS
- 100% TESTED

The PIUSI HAND PUMP is a rotary vane pump suitable for transferring low viscosity oils and diesel. Entirely designed, manufactured and certified in Italy this sturdy pump guarantees a professional performance. PIUSI HAND PUMP is also available in the version to dispense Windscreen and Anti-Freeze liquids.

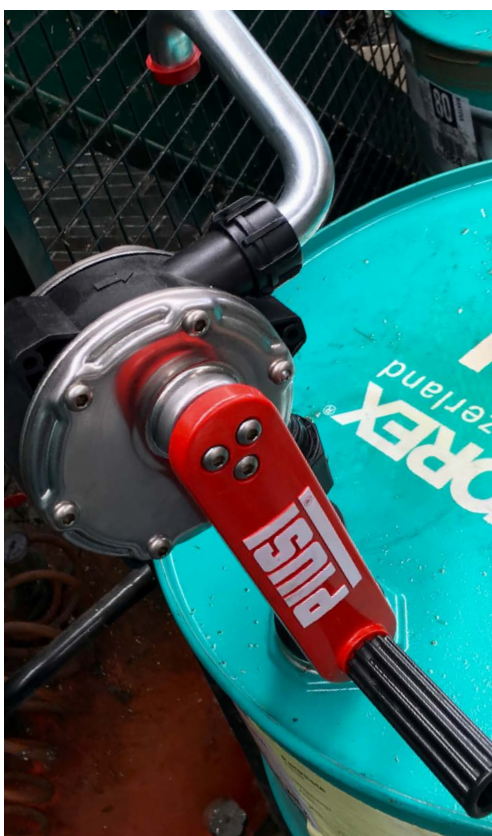


PIUSI HAND PUMP FOR OIL

## PERFORMANCE

UP TO  
**38 L**  
L/100 REVOLUTIONS  
FLOW RATE

AVAILABLE WITH  
**3M**  
LENGHT  
DELIVERY HOSE



**NEW**



PIUSI HAND PUMP WINDSCREEN & ANTI-FREEZE

## PACKAGING

CODE	WEIGHT		PACKAGING			N. BOX/ EUROPALLET	
	KG	LBS	MM	PEZZI/PALLET	PEZZI/BOX		
FO0332500	2,1	4,6	350X170X140	-	1		
FO0332W00	3,1	6,8	300X300X180	-	1		



AIR



ANTIFREEZE



AdBlue®



BIODIESEL



DIESEL



FOOD



GASOLINE



GREASE



KEROSENE



OIL

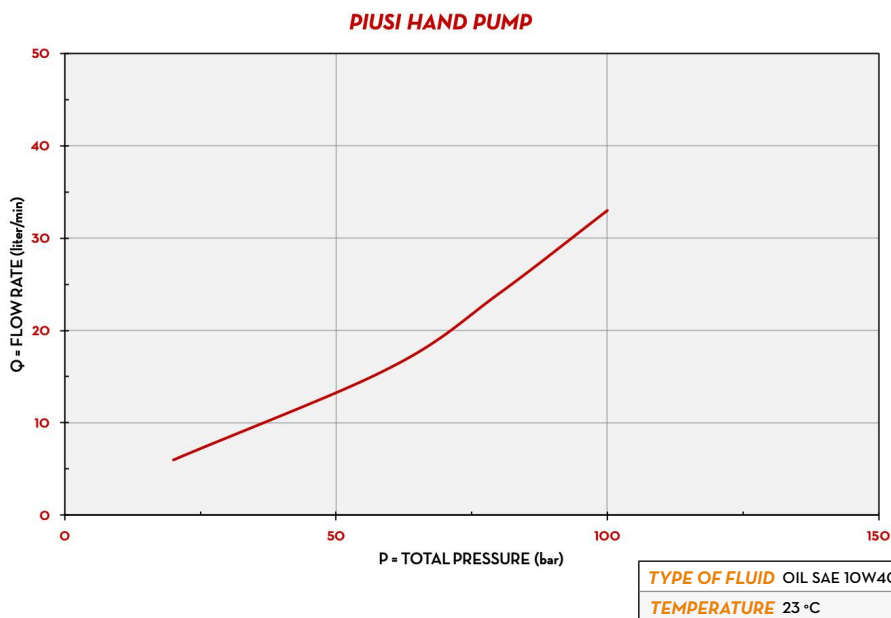


WATER



WINDSCREEN

## CHART



## IN THE BOX

- PIUSI HAND PUMP
- SPOUT (OIL VERSION)
- DELIVERY HOSE (WIND & ANTIFREEZE VERSION)
- SUCTION PIPE
- DRUM CONNECTOR
- INSTRUCTION MANUAL

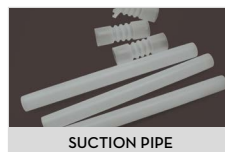
## DETAILS



HIGH QUALITY MATERIALS

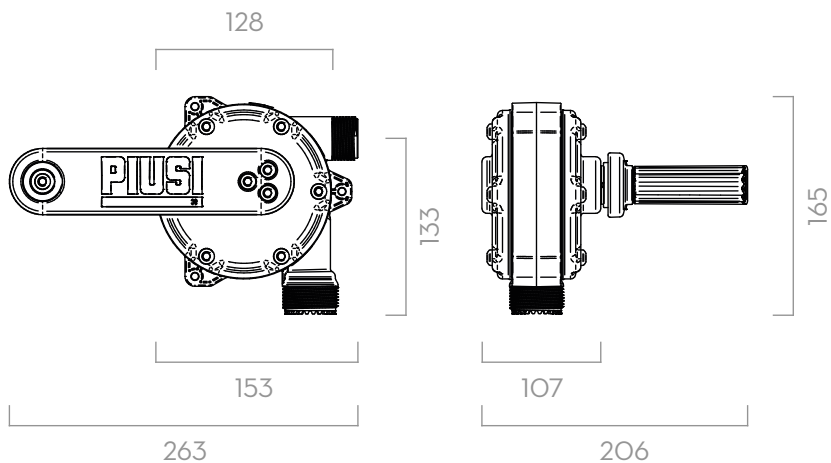


NON SLIP HANDLE



SUCTION PIPE

## DIMENSIONS



Dimensions expressed in millimeters

## MATERIALS

- BODY: STAINLESS STEEL,TECHNOPOLYMER
- ROTOR: TECHNOPOLYMER
- VANES: TECHNOPOLYMER

## TECHNICAL DATA

CODE	DESCRIPTION	FLUIDS TYPE	CAPACITY PER 100 REVOLUTIONS		DRUM CONNECTOR	SUCTION TUBE	"S" SPOUT AND HOSE TAIL	DELIVERY HOSE LENGHT
			L	USG				M
FO0332500	PIUSI HAND PUMP 2" BSP		38	10	2" BSP	YES	YES	-
FO0332W00	PIUSI HAND PUMP WINDSCREEN & ANTI FREEZE		38	10	2" BSP	YES	-	3M