



CUBE MC 2.0

FEATURES

- STURDY STRUCTURE
- BUILT-IN LAN ADAPTER
- COMPACT DESIGN
- SSM 2.0 SOFTWARE REQUIRED
- IP55
- IDEAL FOR FUEL MANAGEMENT

The PIUSI CUBE MC 2.0 is the perfect solution for those who need safe and simple, high-volume fuel dispensing operations while checking transactions and managing their own fleet. The system is equipped with the same main feature of the CUBE MC, and includes a built-in LAN connection. SSM 2.0 Software required.

PERFORMANCE

UP TO
90 L/MIN

FLOW RATE

UP TO
1000

USERS

± 0,5%

ACCURACY



CUBE MC 2.0



CUBE MC 2.0 WITH PEDESTAL (OPTIONAL)

PACKAGING

CODE	WEIGHT		PACKAGING			N. BOXES / EUROPALLET	
	KG	LBS	MM	INCH	PCS/BOX	✕	
FO059600B	25	55	400X400X460	-	1	12	24
FO059610B	25	55	400X400X460	-	1	12	24



FILTRATION



TANK MONITORING



HOSE REEL



ACCESSORIES



MERCHANDISE

B
ANY BIODIESEL

A
AIR

A
ANTIFREEZE

Ad
AdBlue®

B
BIODIESEL

D
DIESEL

F
FOOD

G
GASOLINE

G
GREASE

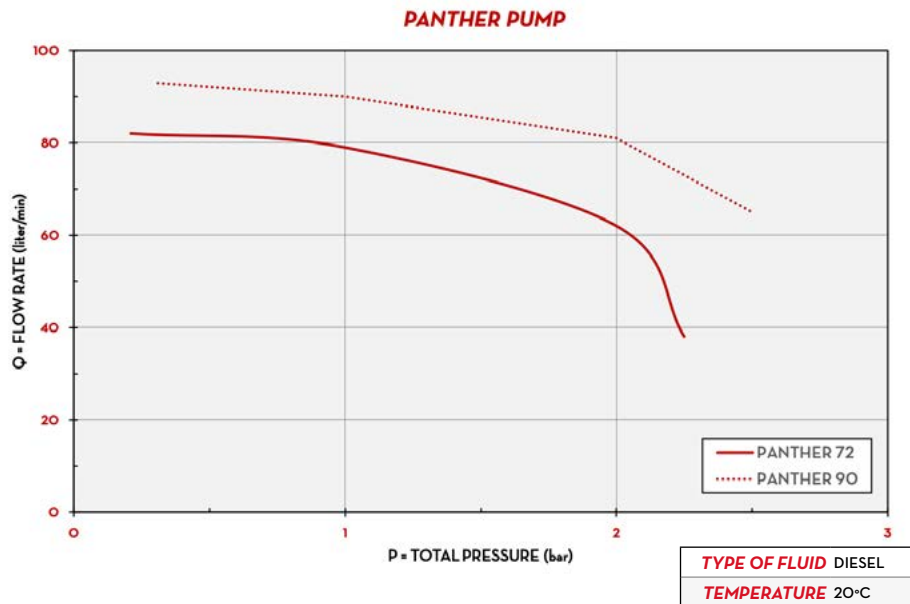
K
KEROSENE

O
OIL

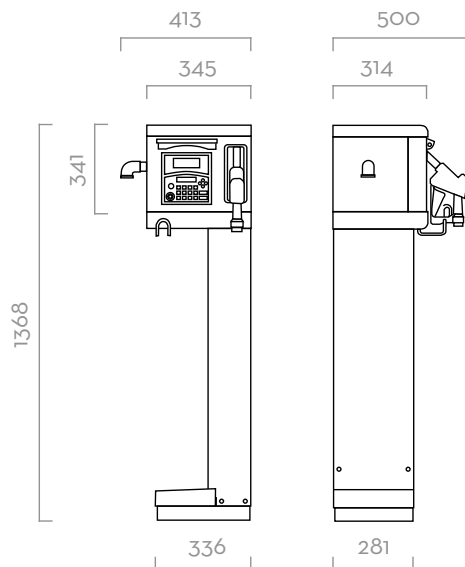
W
WATER

W
WINDSCREEN

CHART



DIMENSIONS



Dimensions expressed in millimeters

IN THE BOX

- CUBE MC 2.0 DISPENSER
- AUTOMATIC NOZZLE
- DELIVERY HOSE
- INSTRUCTION MANUAL

DETAILS



MATERIALS

- **PUMPS:**
PANTHER AC PAG. 100
PANTHER DC PAG. 116
- **METER:**
K600/3 PAG. 136
- **NOZZLE:**
AUTOMATIC NOZZLE PAG. 160

TECHNICAL DATA

CODE	DESCRIPTION	FLUIDS TYPE	FLOW RATE		VOLTAGE			PUMP TYPE	METER TYPE	NOZZLE TYPE	FILTER H2O FILTER	INLET BSP	HOSE LENGTH METERS	SELF SERVICE MANAGEMENT 2.0
			L/MIN	GPM	AC V/HZ DC VOLT	POWER WATT	AMP. MAX.							
FO059600B	CUBE 70 MC 2.0	D	70	18	230/50	900	4,9	PANTH 72	K600	A60	NO	1"	4	REQUIRED
FO059610B	CUBE 90 MC 2.0	D	90	23,8	230/50	900	4,9	PANTH 90	K600	A120	NO	1"	4	REQUIRED

CUBE MC 2.0