

# ZECA

Z

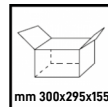
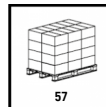
TECHNICAL EXCELLENCE. SINCE 1929.

**CABLE REEL FOR  
EARTHING**  
EXPLOSION-PROOF  
EARTHING CABLE REEL  
WITH CLAMP  
**ART. 18-32000-110**

Length (m)  
**10**

Number of conductors  
**1 x**

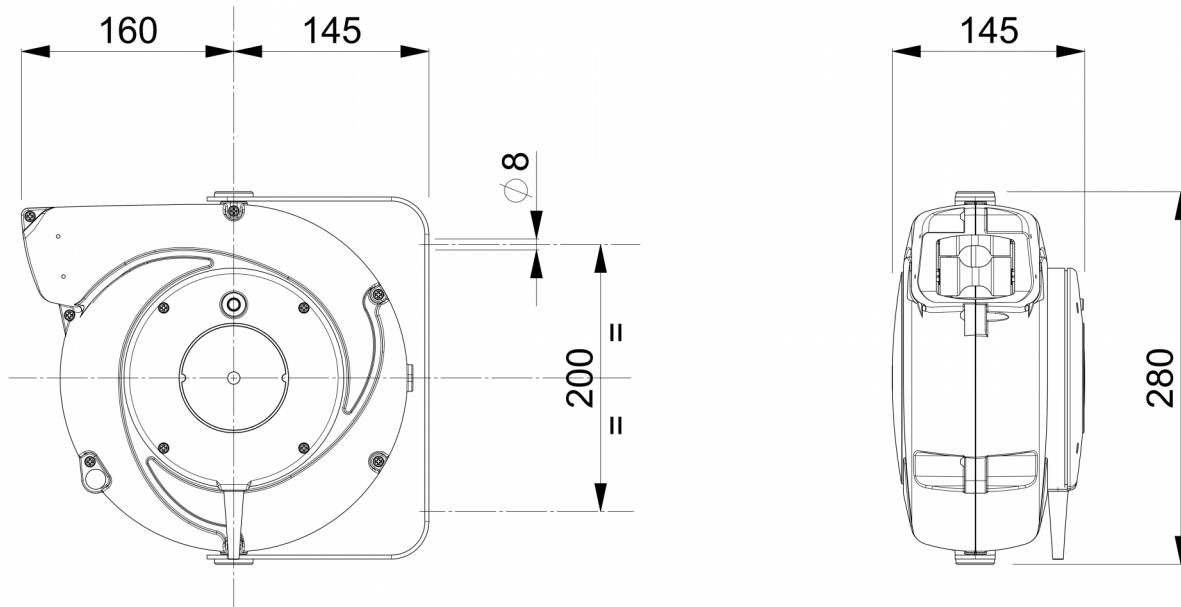
Cross-section (mm<sup>2</sup>)  
**10**



## TECHNICAL DATA

Article	Structure	Number of conductors	Cross-section (mm <sup>2</sup> )	Cable length (m)	Cable diameter (mm)
18-32000-110	PLASTIC	1x	10	10	10

OVERALL DIMENSIONS



Technical features

- Cable reel + clamp.
- In accordance with Directives 2014/34/EU - 2014/30/EU
- Marking : Gas II 2G Ex h IIC T6 Gb - Dust II 2D Ex h IIIC T80°C Db
- EC-type examination certificate BVS 19 ATEX E 028

ZECA presents a series of ATEX products specially designed for use in potentially explosive environments.

For each model there are the main indications, further certificates and characteristics are available on request from the technical office.

The installation of all ATEX equipment must be carried out after checking the regulations in force in the installation area.

Those who certify the construction of the electrical system are responsible for choosing the product with the correct technical characteristics.