



KITS



PUMPS



METERS



METERED NOZZLES



NOZZLES



WASTE OIL EQUIPMENTS

# NEXT/2

## FEATURES

- ADJUSTABLE UNIT OF MEASUREMENT
- EASY BATTERIES MAINTENANCE
- AAA STANDARD BATTERY
- SHOCK-ABSORBING PROTECTION
- ON-SITE CALIBRATION

The PIUSI NEXT/2 meter is an oval gear meter suitable for the delivery of low, medium and high viscosity oils. Its particular size allows the meter to count at high flow rates.

### PERFORMANCE

UP TO  
**6-60 L/MIN**

FLOW RATE

MAX  
**70BAR**

OPERATING PRESSURE

**± 0,5%**

ACCURACY

**0,2%**

REPEATABILITY



NEXT/2



### PACKAGING

CODE	WEIGHT		PACKAGING			
	KG	LBS	MM	INCH	PCS/PALLET	PCS/BOX
FOO486150	0,6	1,3	115X160X135	4,5X6,3X5,3		1



FILTRATION



FLUID MONITORING



TANK MONITORING



HOSE REELS



ACCESSORIES



MERCHANDISE

INDEX



AIR



ANTIFREEZE



AdBlue®



BIODIESEL



DIESEL



FOOD



GASOLINE



GREASE



KEROSENE



OIL

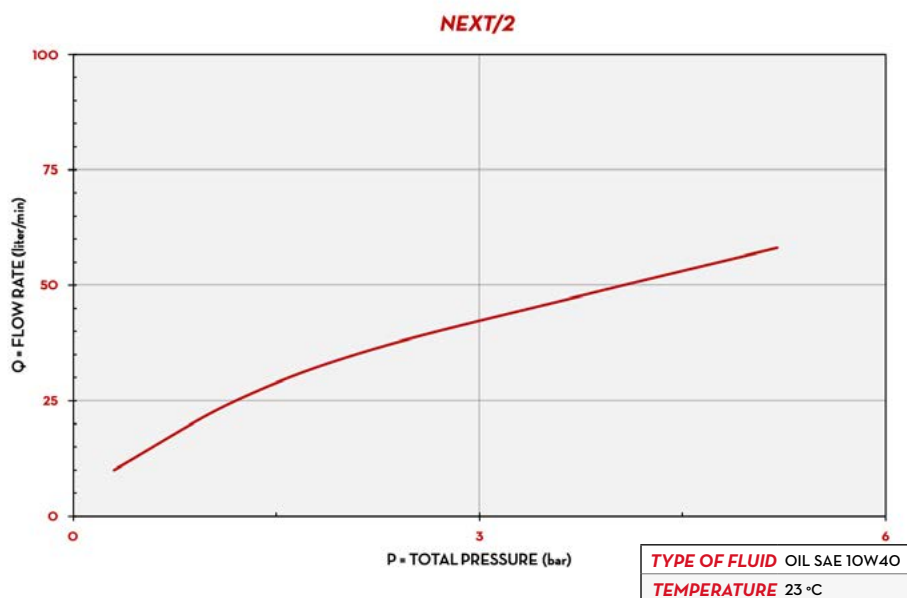


WATER

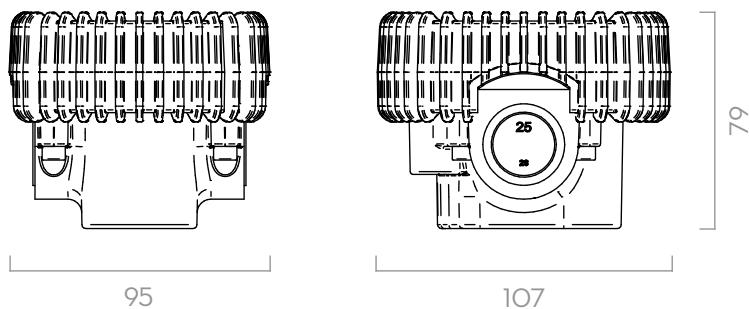


WINDSCREEN

### CHART



### DIMENSIONS



Dimensions expressed in millimeters

### IN THE BOX

- NEXT/2 METER
- INSTRUCTION MANUAL

### DETAILS



### MATERIALS

- BODY: ALLUMINIUM
- GEARS: TECHNOPOLYMER

### TECHNICAL DATA

CODE	DESCRIPTION	FLUIDS TYPE	FLOW RATE		WORKING PRESSURE		BATTERY INCLUDED AAA N°2 2X1.5 V	INLET	OUTLET
			L/MIN	GPM	BAR	PSI			
FOO486150	NEXT 2 METER .2" BSP		6 - 60	1,58 - 158	70	994	YES	3/4" BSP	3/4" BSP

# NEXT/2