



FUEL MANAGEMENT SYSTEMS



DISPENSERS



KITS



PUMPS



METERS



NOZZLES

OCIO

FEATURES

- LOW/HIGH LEVEL ALARMS
- FLUID MEASURES INDICATION
- BUILT-IN DISPLAY

OCIO is PIUSI's tank level indicator suitable for any kind of fluid stored in tanks up to a 4 mt depth. It gives a real time indication of the fluid quantity inside the tank. It is easy to calibrate and has two alarms that can be adjusted at a specific high and low level for high and low levels.

PERFORMANCE

UP TO

4MT

HEIGHT

TANK

± 1%

FULL SCALE

ACCURACY

UP TO

50 MT

LENGTH

PROBE TUBE

UP TO

30 CST

VISCOSITY



OCIO



10 METERS HOSE



BRASS PROBE

PACKAGING

CODE	WEIGHT		PACKAGING		
	KG	LBS	MM	INCH	PCS/BOX
FO075510D	2,2	4,8	300X410X100	11,8X16,1X3,9	1
FO075516O	2,2	4,8	300X410X100	11,8X16,1X3,9	1



FILTRATION



TANK MONITORING



HOSE REEL



ACCESSORIES

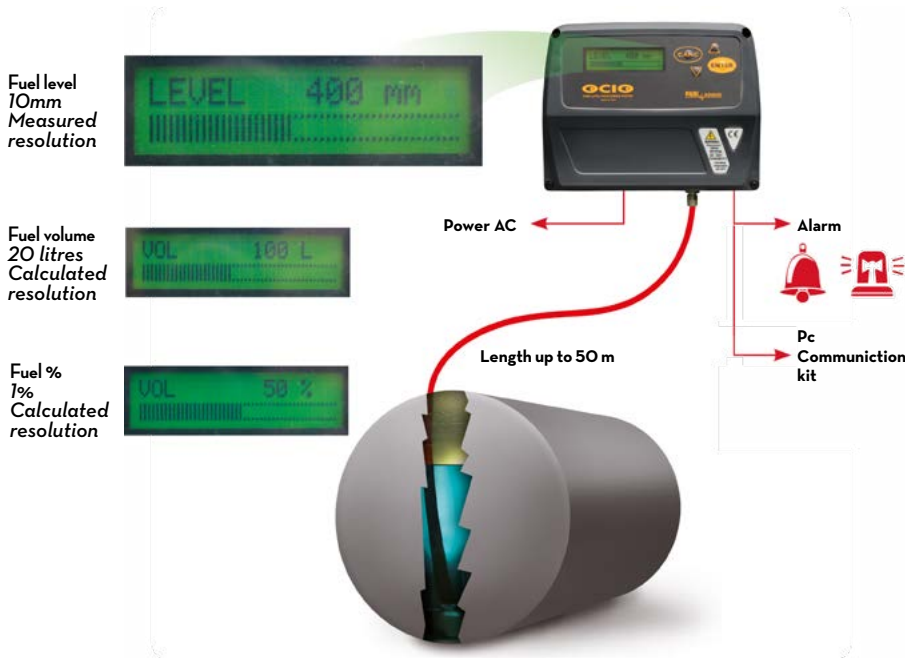


MERCHANDISE

INDEX

- HS ANY BIODIESEL
- A AIR
- A ANTIFREEZE
- Ad AdBlue®
- B BIODIESEL
- D DIESEL
- F FOOD
- G GASOLINE
- G GREASE
- K KEROSENE
- O OIL
- W WATER
- W WINDSCREEN

FUNCTIONING



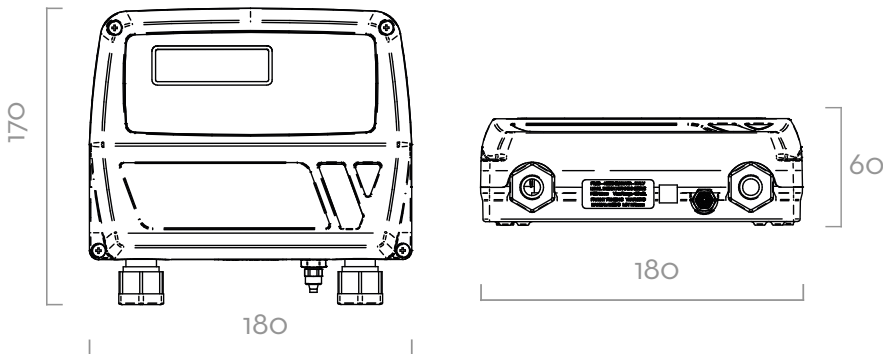
IN THE BOX

- OCIO UNIT
- PROBE
- 10 MT TUBE
- INSTRUCTION MANUAL

DETAILS



DIMENSIONS



Dimensions expressed in millimeters

MATERIALS

- PROBE: BRASS
- TUBE: TECHNOPOLYMER

TECHNICAL DATA

CODE	DESCRIPTION	FLUIDS TYPE	VISCOSITY		VOLTAGE		RS EXIT
			cSt	AC V/HZ	POWER WATT		
FO075510D	LEVEL INDICATOR OCIO LV / RS OUTPUT	A B D O W	UP TO 30	230/50	20	AVAILABLE	
FO075516O	LEVEL INDICATOR OCIO LV / 4/20 mA OUTPUT	A B D O W	UP TO 30	230/50	20	AVAILABLE	