

PIUSI HAND PUMP

FEATURES

- OPTIMIZED SUCTION CAPACITY
- STURDY CONNECTOR
- HEAVY DUTY LEVER
- FLUENT REVOLUTION
- HIGH EFFICIENCY
- ADJUSTABLE SUCTION PIPE

The PIUSI HAND PUMP is a rotary vane pump suitable for transferring low viscosity oils and diesel. Entirely designed, manufactured and certified in Italy, this sturdy pump guarantees a professional performance and easy transfer.

PERFORMANCE

| | |
|---|---------------------------------------|
| UP TO 38L PER 100 REVOLUTIONS FLOW RATE | 3MT LENGTH DELIVERY HOSE |
|---|---------------------------------------|



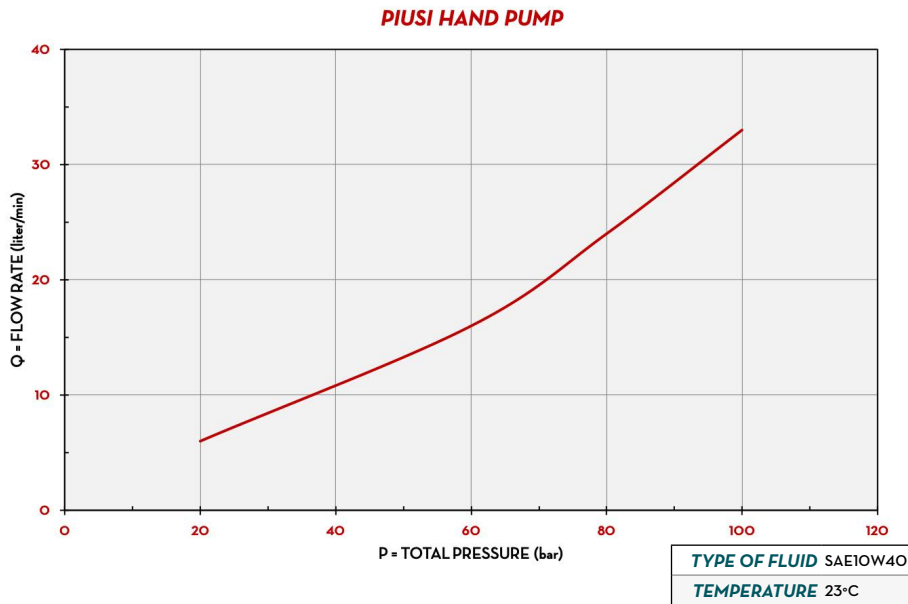
PIUSI HAND PUMP - IBC VERSION



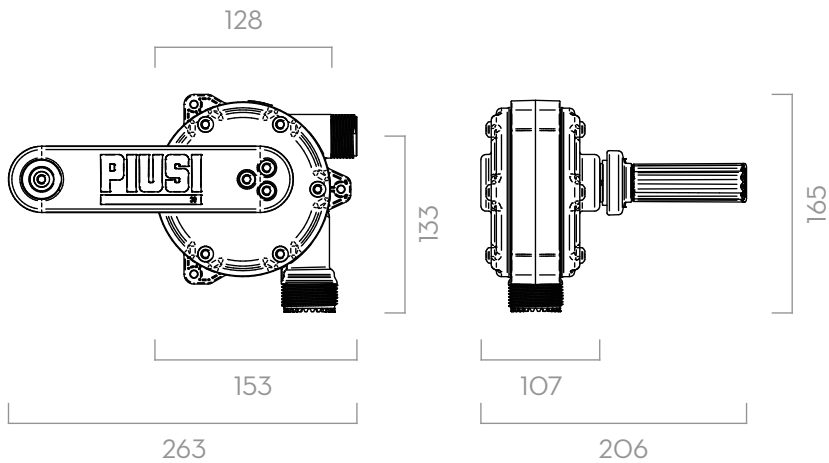
PACKAGING

| CODE | WEIGHT | | PACKAGING | | | N. BOX / EUROPALLET | |
|---------------------|--------|-----|-------------|---------------|---------|---------------------|-----|
| | KG | LBS | MM | INCH | PCS/BOX | ✕ | |
| WITHOUT HOSE | | | | | | | |
| FO033250A | 2,1 | 4,6 | 350X170X140 | - | 1 | 50 | 100 |
| WITH HOSE | | | | | | | |
| FO033252A | 3,2 | 7 | 300X300X180 | - | 1 | 50 | 100 |
| IBC VERSION | | | | | | | |
| FO03325B0 | 3,1 | 6,8 | 300X300X180 | 18,8X11,8X7,1 | 1 | - | - |

CHART



DIMENSIONS

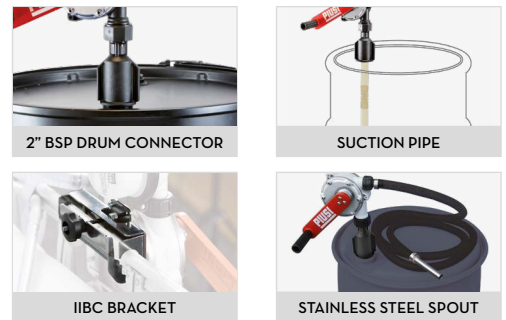


Dimensions expressed in millimeters

IN THE BOX

- PIUSI HAND PUMP
- SPOUT
- SUCTION PIPE (DRUM VERS.)
- DRUM CONNECTOR (DRUM VERS.)
- IBC MOUNT BRACKET
- SUCTION PIPES (IBC VERS.)
- CONNECTOR AF2 (2"/56X4) IBC VERS.
- INSTRUCTION MANUAL

DETAILS



MATERIALS

- BODY: STAINLESS STEEL, TECHNOPOLYMER
- ROTOR: TECHNOPOLYMER
- VANES: TECHNOPOLYMER

TECHNICAL DATA

| CODE | DESCRIPTION | FLUIDS TYPE | CAPACITY FOR 100 REVOLUTIONS | | DRUM CONNECTOR | IBC BRACKET | SUCTION PIPE | "S" SPOUT AND HOSE TAIL | DELIVERY HOSE LENGHT | |
|---------------------|--------------------------------------|-------------------------------|------------------------------|-----|----------------|-------------|--------------|-------------------------|----------------------|--|
| | | | L | USG | | | | | | |
| WITHOUT HOSE | | | | | | | | | | |
| FO033250A | PIUSI HAND PUMP 2" BSP | D O | 38 | 10 | 2" BSP | - | YES | YES | - | |
| WITH HOSE | | | | | | | | | | |
| FO033252A | KIT PIUSI HAND PUMP 2" BSP WITH HOSE | D O | 38 | 10 | 2" BSP | - | YES | - | 3M | |
| IBC VERSION | | | | | | | | | | |
| NEW FO03325BO | PIUSI HAND PUMP IBC DIESEL/OIL | D O | 38 | 10 | - | YES | YES | YES | 2,5M | |