



CAR FILLING



FUEL MANAGEMENT SYSTEMS



KITS



PUMPS



METERS



METERED NOZZLES

# PIUSI HAND PUMP IBC

## FEATURES

- IBC ERGONOMIC BRACKET
- HEAVY DUTY LEVER
- HIGH EFFICIENCY
- SELECTED MATERIALS

The PIUSI HAND PUMP IBC is a rotary vane pump suitable for transferring AdBlue®. It maintains all the main features of the PIUSI HAND PUMP while its ergonomic bracket guarantees a perfect IBC handling.

## PERFORMANCE

UP TO

**38 L**

PER 100 REV

FLOW RATE



PIUSI HAND PUMP IBC



## PACKAGING

CODE	WEIGHT		PACKAGING		
	KG	LBS	MM	INCH	PCS/BOX
<b>WITHOUT FILTER</b>					
FO0332BOA	2,1	4,6	350X170X5,5	13,8X6,7X5,5	1
<b>WITH FILTER</b>					
FO0332B1A	3,2	7	300X300X180	18,8X11,8X7,1	1



NOZZLES



FILTRATION



TANK MONITORING



HOSE REEL



ACCESSORIES



MERCHANDISE

INDEX



AIR



ANTIFREEZE



AdBlue®



BIODIESEL



DIESEL



FOOD



GASOLINE



GREASE



KEROSENE



OIL



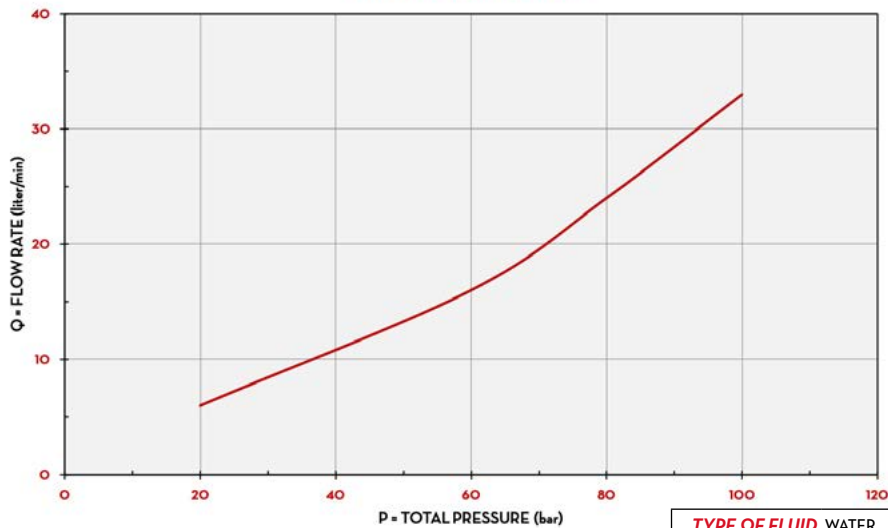
WATER



WINDSCREEN

## CHART

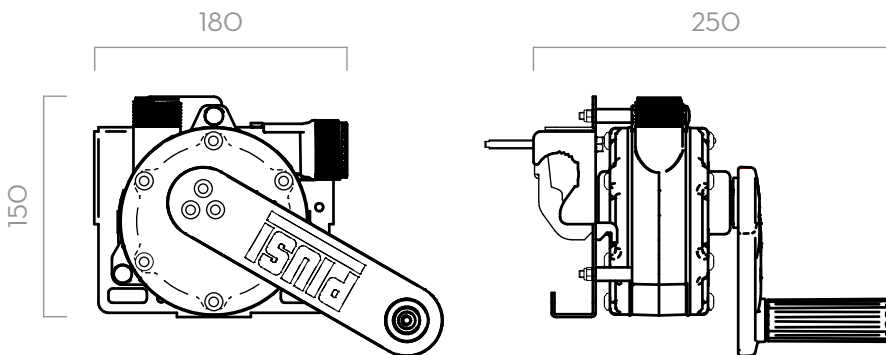
### PIUSI HAND PUMP IBC



TYPE OF FLUID WATER

TEMPERATURE 20°C

## DIMENSIONS



Dimensions expressed in millimeters

## IN THE BOX

- PIUSI HAND PUMP IBC
- IBC MOUNT BRACKET
- DELIVERY HOSE
- 3D FILTER (ON REQUEST)
- INSTRUCTION MANUAL

## DETAILS



STAINLESS STEEL SPOUT



STURDY LEVER



IBC BRACKET

## MATERIALS

- BODY: STAINLESS STEEL, TECHNOPYLIMER
- ROTOR: TECHNOPYLIMER
- VANES: TECHNOPYLIMER

## TECHNICAL DATA

CODE	DESCRIPTION	FLUIDS TYPE	CAPACITY PER 100 REVOLUTIONS		IBC BRACKET	SUCTION HOSE	DELIVERY HOSE LENGHT	3D FILTER
			L	USG				
<b>WITHOUT FILTER</b>								
FO0332BOA	PIUSI HAND PUMP FOR IBC W/O FILTER		38	10	YES	1	2,5	NO
<b>WITH FILTER</b>								
FO0332B1A	PIUSI HAND PUMP UREA SIDE W/FILTER		38	10	YES	1	2,5	YES

IBC NOT INCLUDED

# PIUSI HAND PUMP IBC

HAND PUMPS

87