



CAR FILLING



FUEL MANAGEMENT SYSTEMS



KITS



PUMPS



METERS



METERED NOZZLES

# SB325\_X/SB325\_X CAR

## FEATURES

- HEAVY DUTY
- VERSATILE
- BREAK-AWAY SYSTEM
- ERGONOMIC DESIGN
- SPECIFIC SPOUT FOR CARS/ LIGHT COMMERCIAL VEHICLES
- EASY AND PRACTICAL

Specifically developed for AdBlue® refilling on cars/light commercial vehicle and heavy vehicles, SB325\_X and SB325\_X CAR are patented automatic nozzles by PIUSI equipped with break-away system and stainless steel spout. Designed in compliance with International Standards ISO/ FDIS 22241-4:2009, these two innovative automatic nozzles also feature a reliable, ergonomic and flexible shell that protects the nozzles against weathering and UV radiation.

The SB325\_X CAR has a different shape compared to SB325\_X and is 2,4 cm shorter, this to allow a better usability and performance in the car/commercial vehicle sector. SB325\_X CAR is compatible with all PIUSI AdBlue® pumps. Use with pumps other than the PIUSI range must be subject to prior verification of the system's flow rate.

## PERFORMANCE

### SB325\_X

UP TO

**45 L/MIN**

FLOW RATE

**3,5 BAR**

MAX

OPERATING PRESSURE

### SB325\_X CAR

UP TO

**27 L/MIN**

FLOW RATE

**3 BAR**

MAX

OPERATING PRESSURE



## PACKAGING

CODE	WEIGHT		PACKAGING		
	KG	LBS	MM	INCH	PCS/BOX
FOO61700A	0,7	1,5	447X178X85	17,6X7X2,5	1
FOO617210	1,1	2,4	450X180X70	17,7X7X2,7	1



NOZZLES



FILTRATION



TANK MONITORING



HOSE REEL



ACCESSORIES



MERCHANDISE

INDEX



AIR



ANTIFREEZE



AdBlue®



BIODIESEL



DIESEL



FOOD



GASOLINE



GREASE



KEROSENE



OIL



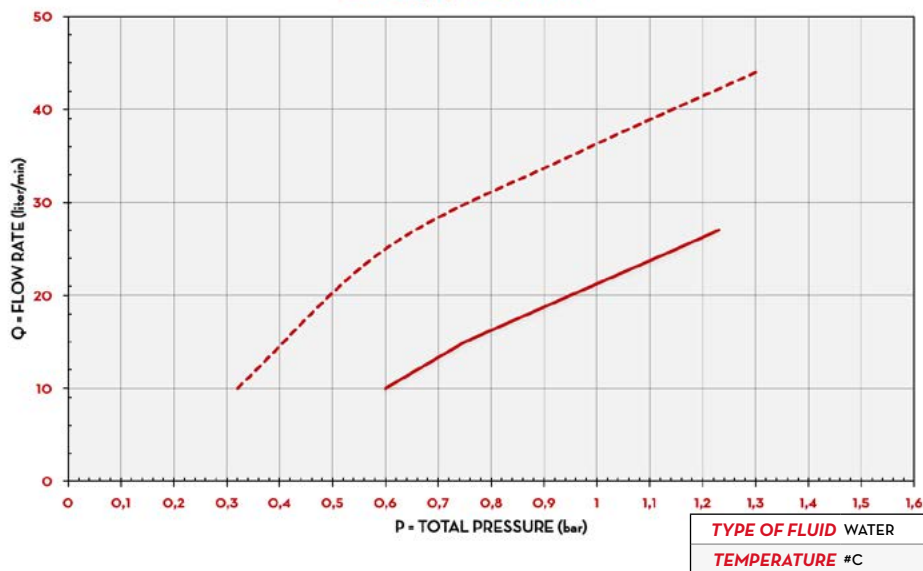
WATER



WINDSCREEN

## CHART

### SB325\_X / SB325\_CAR



## IN THE BOX

- SB325\_X/SB325\_CAR NOZZLE
- INSTRUCTION MANUAL

## DETAILS

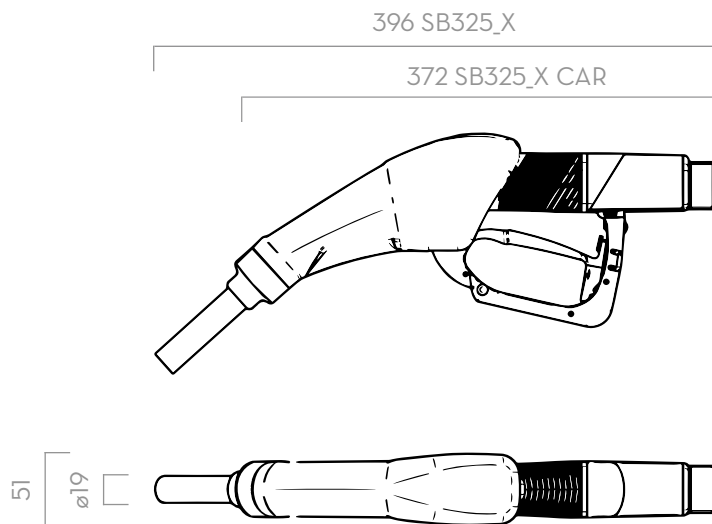


STAINLESS STEEL SPOUT



BREAK-AWAY SYSTEM

## DIMENSIONS



Dimensions expressed in millimeters

## MATERIALS

- SPOUT: STAINLESS STEEL
- BODY: TECHNOPYLIMER

## TECHNICAL DATA

CODE	DESCRIPTION	FLUIDS TYPE	FLOW RATE		MAGNETIC ADAPTOR	METER	PRESSURE	INLET	SWIVEL	SPOUT
			L/MIN	GPM			BAR			EXT. Ø
FO061700A	AUTOMATIC NOZZLE SB325_X		45	12	NO	NO	3,5	3/4"	SI	19 MM
FO0617210	AUTOMATIC NOZZLE SB325_X CAR		27	7	NO	NO	3	3/4"	SI	19 MM

# SB325\_X